

# OTN INNOVATIONS LUCI

BONE ANCHORED PROSTHETIC CONNECTOR

D

C

B

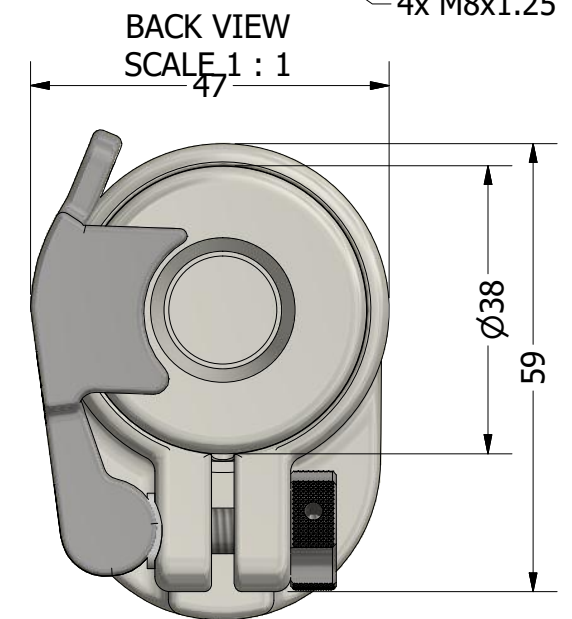
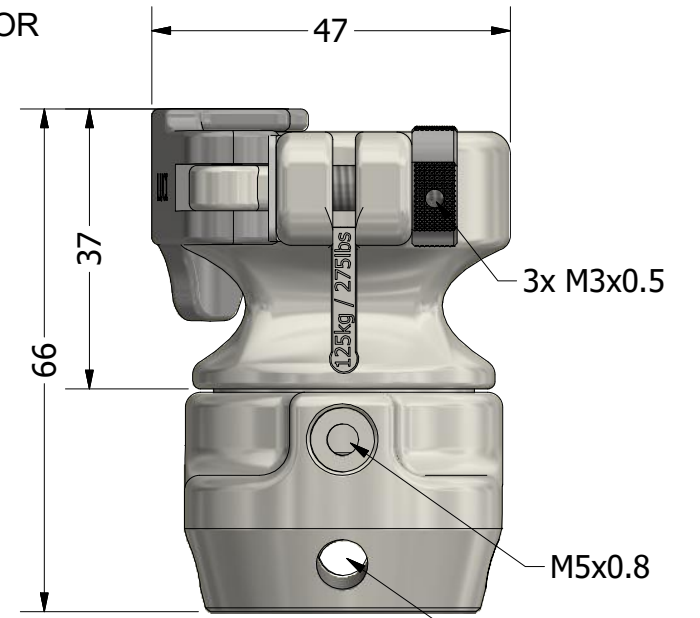
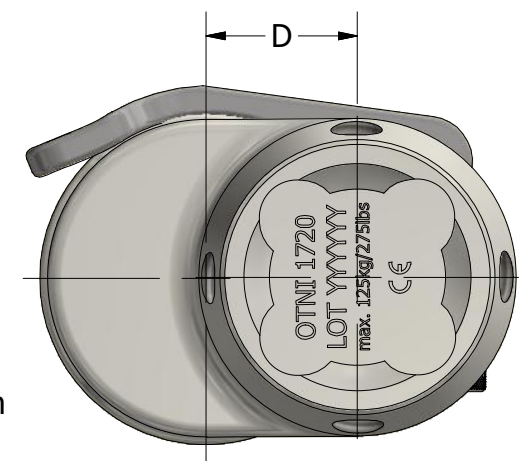
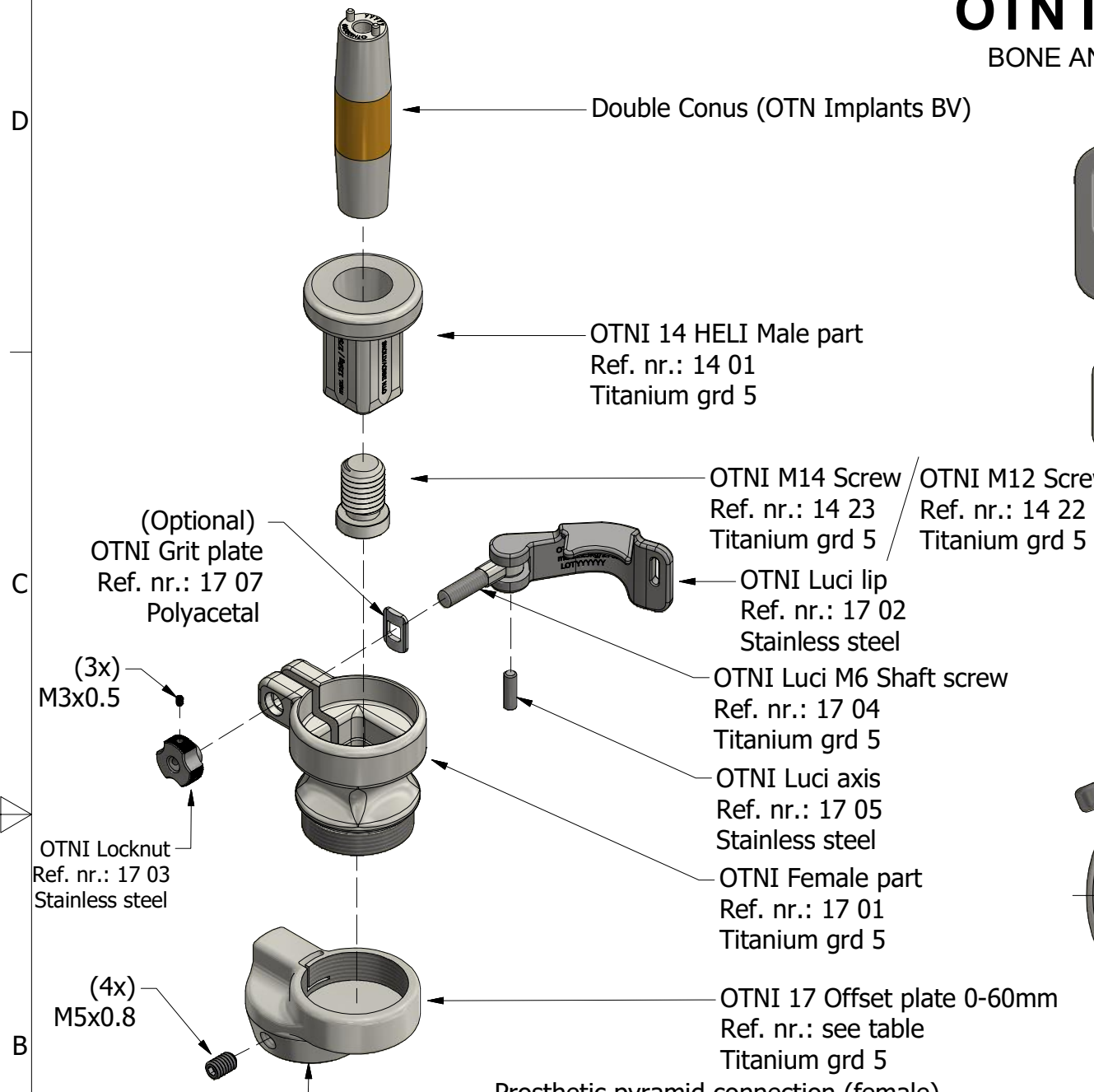
A

D

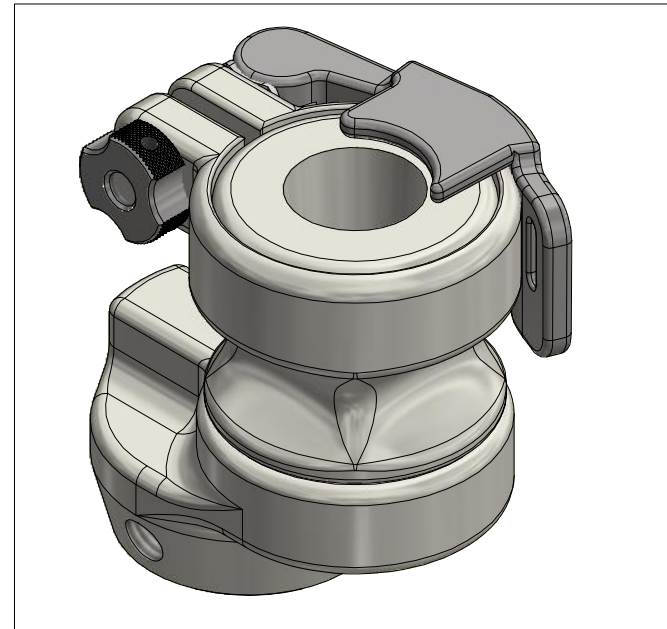
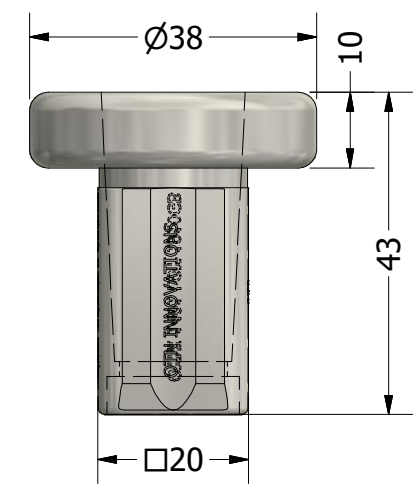
C

B

A



Weight	
Component	kilograms
Male part	0,06 kg
Female part	0,175 kg
Offsetplate	0,082-0,198 kg
Combination	0,317-0,433 kg



Offset D	Ref. nr.
0 mm	OTNI 1400
10 mm	OTNI 1710
20 mm	OTNI 1720
40 mm	OTNI 1740
60 mm	OTNI 1760

Manufactured by:  
**OTN Innovations BV**  
Simon Stevinweg 48  
6827 BT Arnhem  
Gelderland, The Netherlands  
✉ info@otninnovations.com  
I www.info@otninnovations.com

Distributed by:  
**OTN Implants BV**  
Simon Stevinweg 48  
6827 BT Arnhem  
Gelderland, The Netherlands  
✉ mail@otnimplants.nl  
I www.otnimplants.nl  
☎ +31 (0)26 7370371

17-3-2020		<b>OTN Innovations BV</b> Simon Stevinweg 48 6827 BT Arnhem info@otninnovations.com http://otninnovations.com	
		<b>Productinformation OTNI Luci</b>	
SIZE <b>A3</b>	DWG NO <b>17 + 17 20</b>	REV	
SCALE 1 : 1	SHEET 1 OF 1		

6

5

4

3

2

1

6

5

4

3

2

1